

# Product Specifications

## Beta 87C Cardioid Condenser Vocal Microphone

### Overview

The Shure Beta 87C vocal microphone is precision-engineered to deliver an extremely smooth, extended high-end frequency response in a cardioid condenser design. The warm, natural sound creates an ideal environment for personal monitoring, with excellent rear rejection.

### Features

- Premier live performance microphone with Shure quality, ruggedness, and reliability
- Uniform cardioid pick-up pattern for maximum gain before feedback and excellent rejection of off-axis sound
- Smooth, wide frequency response with slight presence rise and controlled proximity effect tailored for vocals
- Advanced cartridge shock mount system absorbs mechanical shock and minimizes handling noise
- Very low susceptibility to RF and electromagnetic hum
- Dent-resistant steel mesh grille and enamel coated metal alloy construction resist wear and abuse
- Effective built-in pop filter reduces undesirable wind and breath noise



BETA 87C

### Available Models

<b>BETA 87C</b>	Cardioid Condenser Vocal Microphone
-----------------	-------------------------------------

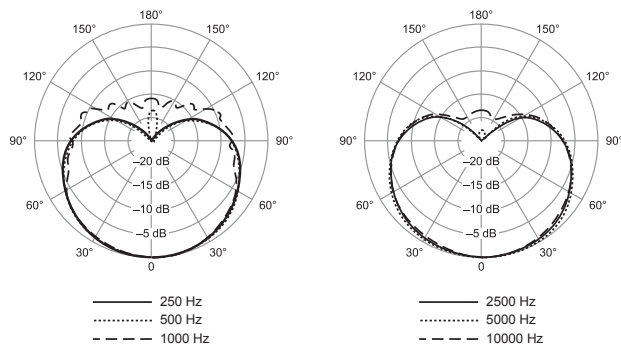
### Specifications

Cartridge Type	Electret Condenser
Frequency Response	50 to 16,000 Hz
Polar Pattern	Cardioid
Output Impedance	100 ohms
Sensitivity (at 1kHz, open circuit voltage)	-51 dBV/Pa (2 mV) 1 Pascal=94 dB SPL
Maximum SPL (1 kHz at 1% THD, 1k ohms load)	139 dB
Signal-to-Noise Ratio (referenced at 94 dB SPL at 1 kHz)	70.5 dB S/N ratio is difference between 94 dB SPL and equivalent SPL of self noise, A-weighted
Dynamic Range (at 1 kHz, 1 k ohms load)	117 dB
Clipping Level (1 kHz at 0.25% THD, 1k ohms load)	-6 dBV (0.5 V)
Self Noise (typical, equivalent SPL, A-weighted)	22 dB typical
Hum Pickup (typical, at 60 Hz, equivalent SPL/mOe)	-5 dB
Polarity	Positive pressure on diaphragm produces positive voltage on pin 2 with respect to pin 3
Weight	Net: 0.207 kg (0.475 lbs)
Connector	Three-pin professional audio (XLR), male
Power Requirements	11 to 52 Vdc phantom (1.2 mA)

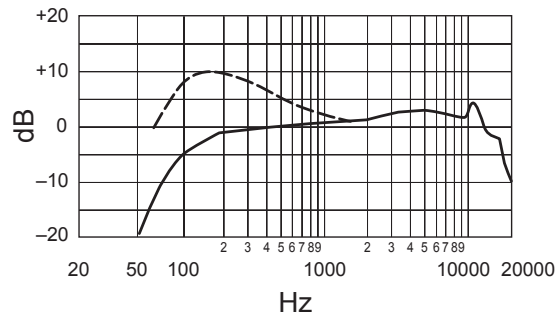
### Furnished Accessories

<b>A25D</b>	Swivel Adapter	<b>95A2314</b>	Carrying/Storage Bag
-------------	----------------	----------------	----------------------

Polar Pattern



Frequency Response



**SHURE**<sup>®</sup>  
LEGENDARY  
PERFORMANCE™

www.shure.com

©2010 Shure Incorporated